

KNECT™ Endpoint

KEP-200

Overview: The KNECT™ Endpoint is a wireless bridge device that transmits data from an access control system, to a remote point of entry, without physical wiring. The endpoint offers flexible connectivity options, and can be used in a point to point or multipoint pairing configuration.

Includes:

- (1) KNECT™ Endpoint
- (1) Power supply

Requires:

- (2) Endpoints are required to form a complete system. Devices are sold separately.

FEATURES

Point to Point or One to Many pairing: Use traditional point to point wireless configuration or pair multiple endpoints using additional hardware.

Range: Aether RF's proprietary radio technology transmits reliable signal up to a mile through obstructions, and up to 25 miles line of sight.

Wiegand, OSDP, and Relay Control: utilize Wiegand, OSDP, or control two relays from the same device.

16-24v AC or DC: Features flexible power options to fit a variety of installation types.

Battery Back-up: Utilize an optional battery to ensure consistent power.

Cloud Connected: Optionally register the device on Aether RF IoT to unlock advanced reporting and diagnostic features.



BENEFITS

Convenient Size: Designed to accommodate a wide variety of site specifications. Measuring less than 6 inches, each unit can easily fit into your preferred weatherproof box. Alternatively offered with NEMA enclosure included.

Designed for easy installation: The Endpoint is loaded with an array of LED indicators to help confirm proper installation. It also features color-coded terminals and an easy to follow diagram overlay.

Flexible Connectivity Options: Offers three connectivity options from the same device providing flexible installation options.

Buy exactly what you need: Can be sold in pairs or individually. This allows repairs or other site issues to be solved efficiently with a more cost effective solution.

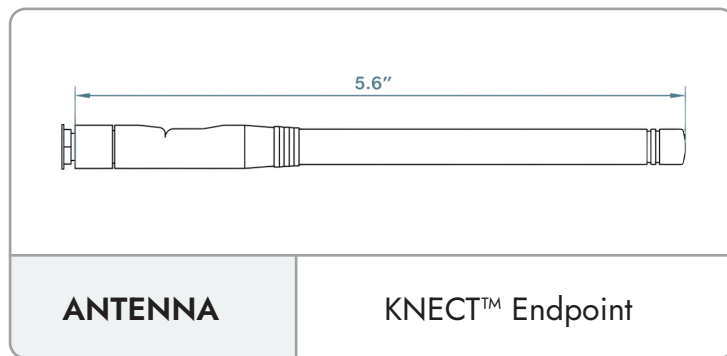
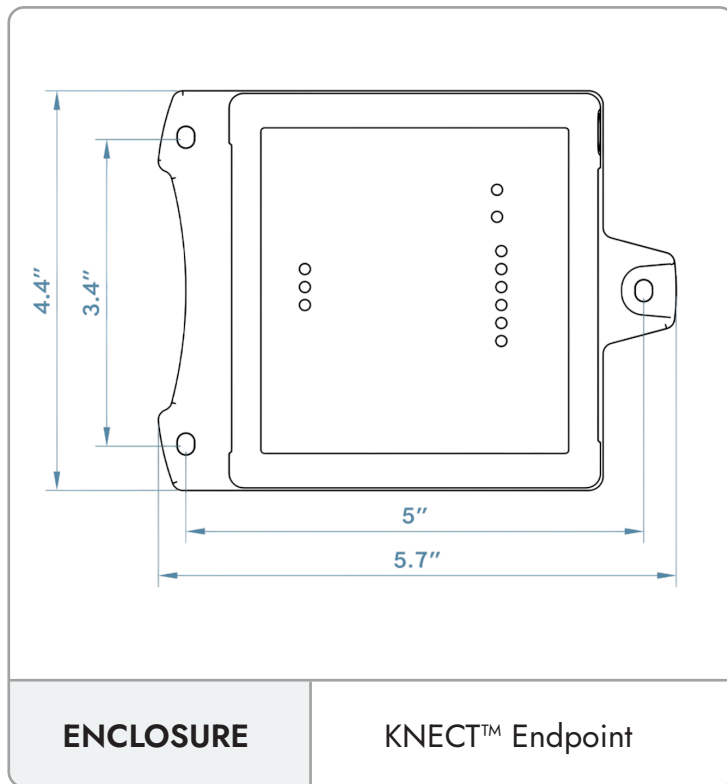
On-site diagnostics: For cloud connected devices, retrieve real time diagnostic information from all devices through the compatible technician app.

SPECIFICATIONS

FREQUENCY BAND	902 - 928Mhz
CHANNELS	128 (Frequency Hopping)
BATTERY BACKUP	12V Sealed Lead Acid (SLA)
BATTERY CHARGE VOLTAGE	13.6V maximum at standby
COMPATIBILITY	Supports 4 to 64 bit Wiegand formats, OSDP

OPERATING VOLTAGE	16 - 24 VAC/VDC
OPERATING CURRENT	64mA (idle), 159mA (transmit)
OPERATING POWER	2.6 Watt (peak)
RELAYS	1.5A 12VDC Wet or Dry: NO, NC, COM
DIMENSIONS	5.7" (L) x 4.4" (W) without antenna

PRODUCT DIMENSIONS

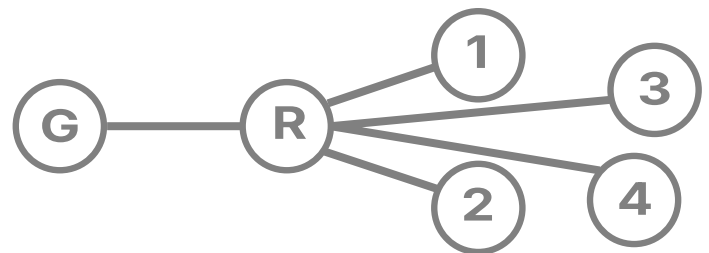


PROGRAMING

Point to Point pairing: When using the endpoint as a traditional wireless bridge, pairing can be done locally without a software platform. For point to point pairing, two endpoints are required. Devices pair in less than 10 minutes using the dip switch configuration process.



One to Many pairing: When using the endpoint in a One to Many configuration, a gateway is required. Each endpoint will individually pair to the gateway, which will direct communication between all endpoints. Streamline your pairing process by registering for the Aether RF IoT web platform.



SIMPLIFY PROGRAMING WITH AETHER RF IOT

Aether RF is committed to providing a seamless, effortless software experience for all users. Installers can utilize the Aether RF IoT web platform to manage devices across multiple sites, making it easy to establish a strong recurring revenue stream.

Register today at AetherRFIoT.com

